



SNAP-IN MAGNETS WITHOUT COUNTERPLATE

16-7-4209

Snap-in magnets for sheet metal applications. Suitable for material thicknesses 1.6 mm or 2.6 mm.

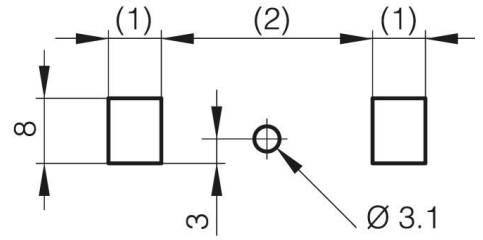
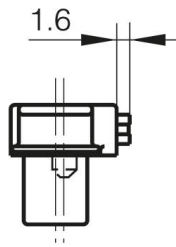
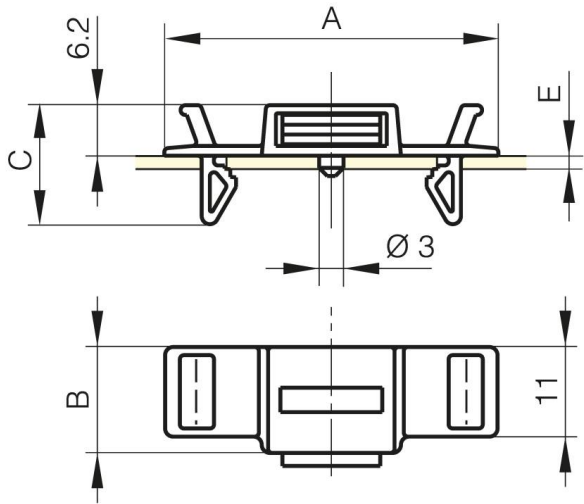
E denotes material thickness.

Cut-out varies to suit metal thickness.

Flex-tab for easy removal.

A	41 mm
----------	-------

Material	POM
Weight (g)	6 g
B	13 mm
C	14.6 mm
Finish	black



E	(1)	(2)
1.6	6.5	26.0
2.6	5.8	24.6