



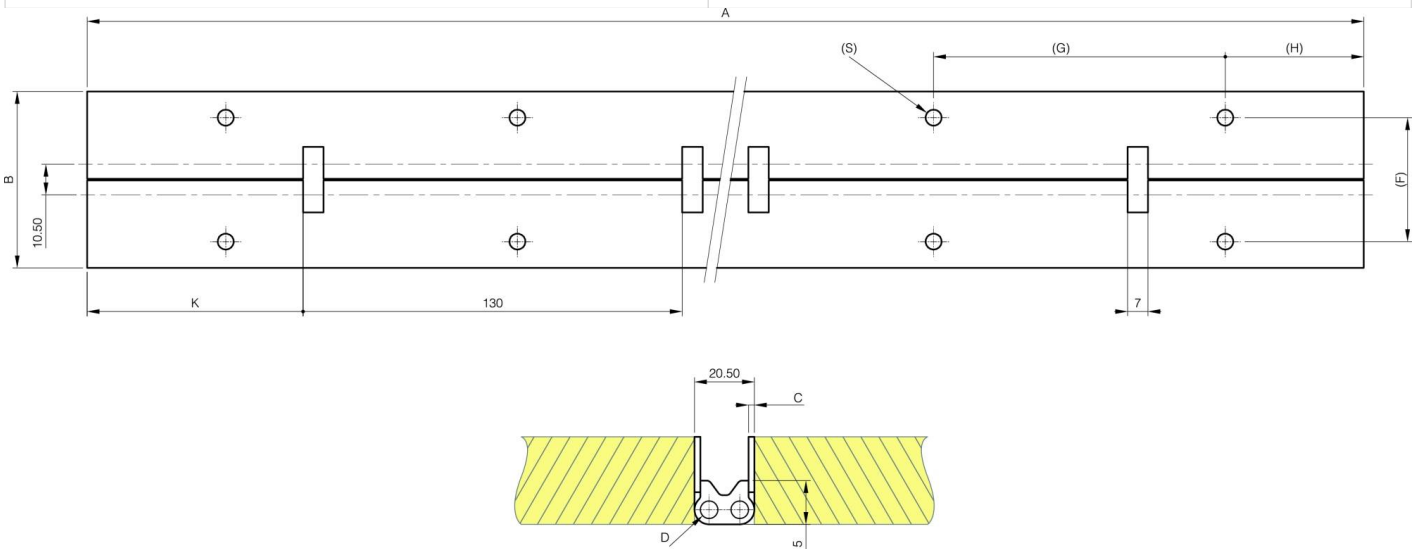
STAINLESS STEEL DOUBLE KNUCKLE CONTINUOUS HINGE

42-1-4643

Hinge in stainless steel for 180° opening angle.
With fixed friction washers.

A	2495 mm
Material	stainless steel

Weight (g)	3780 g
B	60.5 mm
C	2 mm
S (hole diameter)	5.5 mm
D (pin diameter)	6
F (pitch)	42.5 mm
G (pitch)	100 mm
H (height or starting holes)	47.5 mm
Finish	raw
Pin material	stainless steel
Nouvelle référence	NS



K	73.6 mm
----------	---------