

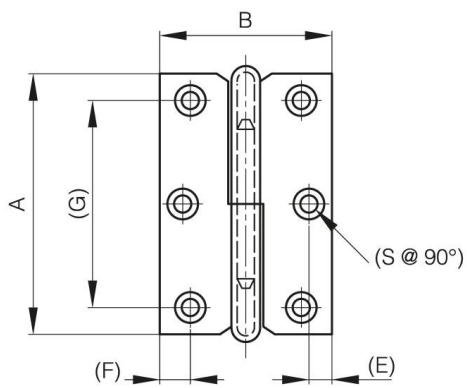


## **BISAGRAS DESMONTABLES DE 60 A 80 MM DE LARGO**

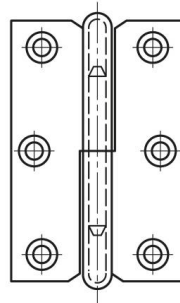
**14-7-3396**

|                 |        |
|-----------------|--------|
| <b>A</b>        | 60 mm  |
| <b>Nota</b>     | tipo 1 |
| <b>Material</b> | acero  |

|                          |           |
|--------------------------|-----------|
| <b>Peso (g)</b>          | 35 g      |
| <b>B</b>                 | 40 mm     |
| <b>C</b>                 | 1.5 mm    |
| <b>S (diamètre trou)</b> | 4 mm      |
| <b>E</b>                 | 5.5 mm    |
| <b>D</b>                 | 4         |
| <b>F</b>                 | 7 mm      |
| <b>G</b>                 | 46 mm     |
| <b>Acabado</b>           | niquelado |



14-7-3396 & 14-7-3398 & 14-7-3400



14-7-3397 & 14-7-3399 & 14-7-3401

