



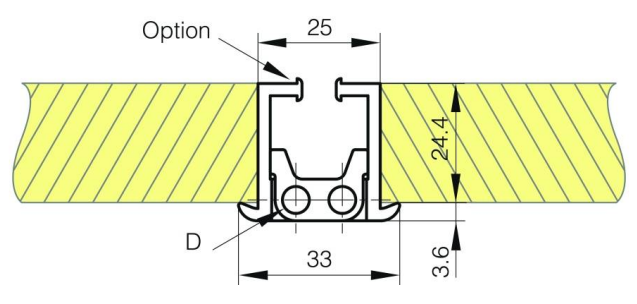
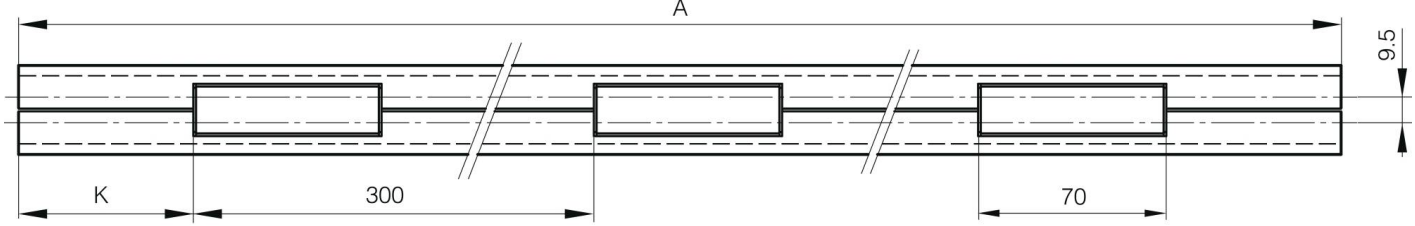
DOUBLE KNUCKLE CONTINUOUS HINGE

73-1-3520

Hinge in aluminium profile for 180° opening angle.
Delivered without watertight gasket (to be ordered separately).
With fixed friction washers.
Non-drilled hinges.

A (length)	2000 mm
Material	6060 T5 alu

Weight (g)	2500 g
D (pin diameter)	5
Finish	A clear anodized



K	65 mm
----------	-------