



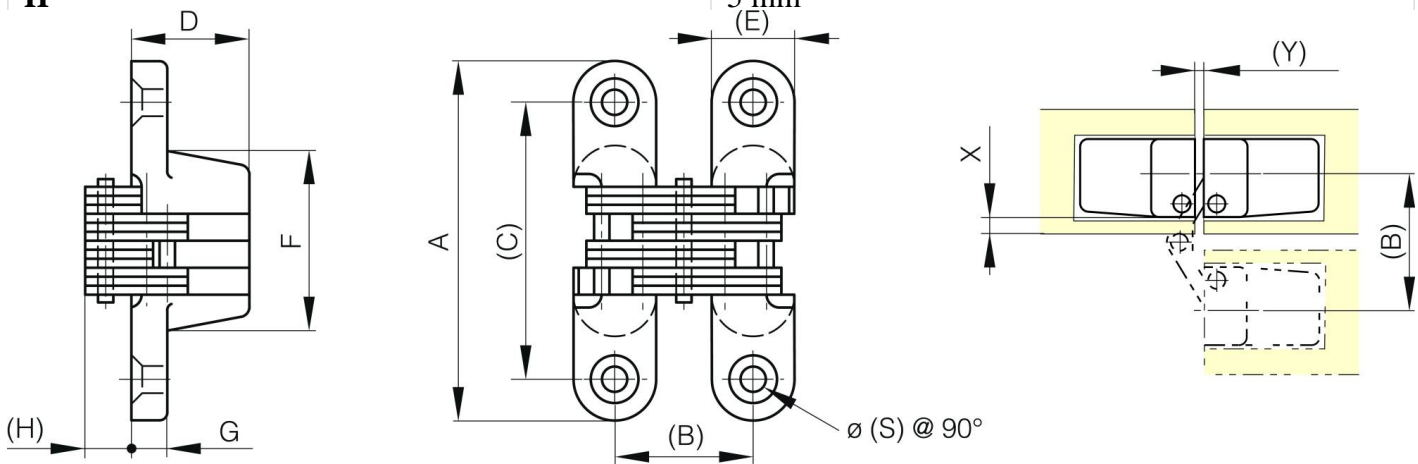
## **MULTI LINK CONCEALED HINGES - 180° OPENING**

**70-7-3539**

Links and pins: 303 and 304 stainless steel or steel.

<b>A (length)</b>	43 mm
<b>Material</b>	zinc die-cast

<b>Weight (g)</b>	37 g
<b>B (width)</b>	18 mm
<b>C</b>	32 mm
<b>S</b>	3.5 mm
<b>E</b>	11 mm
<b>D (pin diameter)</b>	13
<b>F (pitch)</b>	22 mm
<b>G (pitch)</b>	5 mm
<b>H</b>	5 mm (E)



<b>X (dimension for concealed hinge 180°)</b>	? 2.3 mm
<b>Y</b>	0.8 mm