



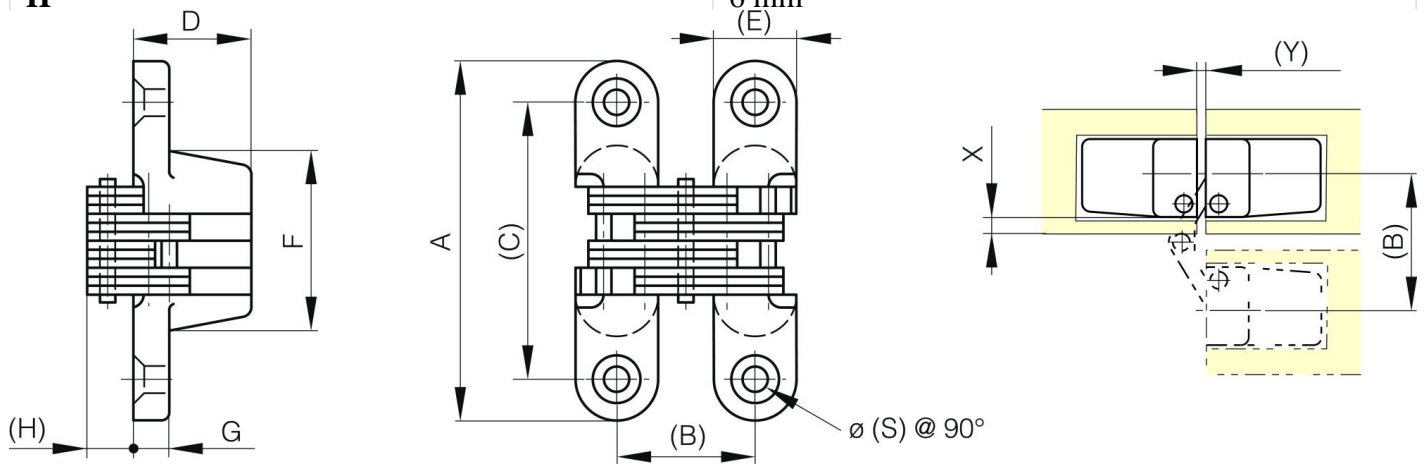
MULTI LINK CONCEALED HINGES - 180° OPENING

70-7-3540

Links and pins: 303 and 304 stainless steel or steel.

A (length)	45 mm
Material	zinc die-cast

Weight (g)	55 g
B (width)	22.7 mm
C	32 mm
S	3.5 mm
E	13 mm
D (pin diameter)	18.5
F (pitch)	19 mm
G (pitch)	5 mm
H	6 mm (E)



X (dimension for concealed hinge 180°)	? 3 mm
Y	0.8 mm