



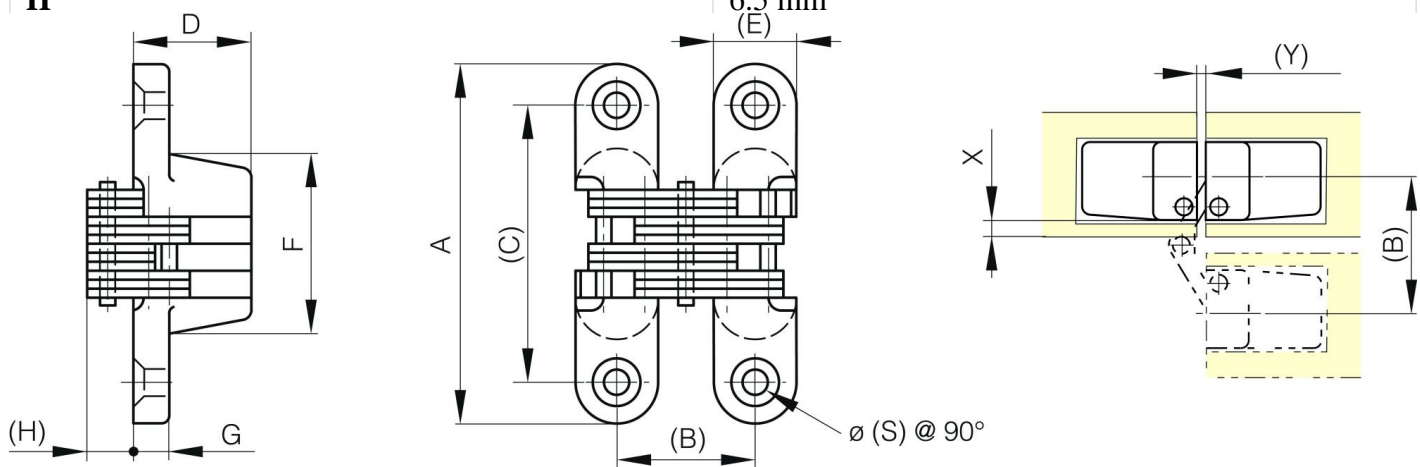
## **MULTI LINK CONCEALED HINGES - 180° OPENING**

**70-7-3541**

Links and pins: 303 and 304 stainless steel or steel.

<b>A (length)</b>	60 mm
<b>Material</b>	zinc die-cast

<b>Weight (g)</b>	103 g
<b>B (width)</b>	22.2 mm
<b>C</b>	47 mm
<b>S</b>	4.3 mm
<b>E</b>	13 mm
<b>D (pin diameter)</b>	18.5
<b>F (pitch)</b>	33 mm
<b>G (pitch)</b>	6.5 mm
<b>H</b>	6.5 mm (E)



<b>X (dimension for concealed hinge 180°)</b>	? 3 mm
<b>Y</b>	1 mm