



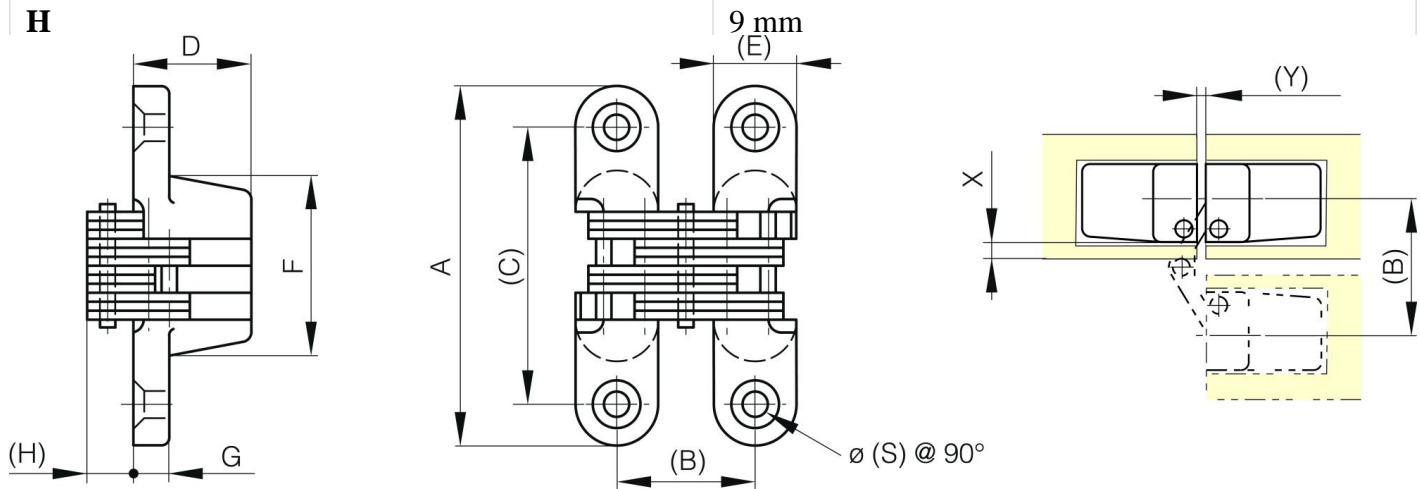
MULTI LINK CONCEALED HINGES - 180° OPENING

70-7-3542

Links and pins: 303 and 304 stainless steel or steel.

A (length)	70 mm
Material	zinc die-cast

Weight (g)	167 g
B (width)	26.6 mm
C	53 mm
S	4.6 mm
E	16.1 mm
D (pin diameter)	23
F (pitch)	35 mm
G (pitch)	7 mm
H	9 mm (E)



X (dimension for concealed hinge 180°)	? 3.5 mm
Y	1.2 mm