



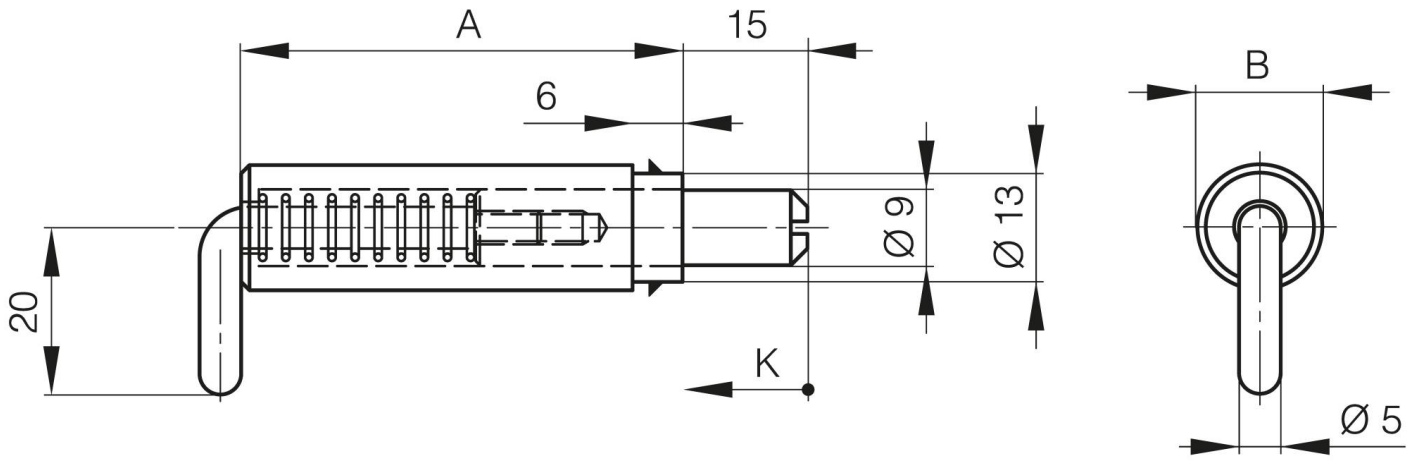
CONCEALED WELD-ON SPRINGLOADED PIN HINGE

85-7-1030

A (length)	53 mm
Material	steel
Weight (g)	70 g

D (3144)

15 mm



K

15 mm