



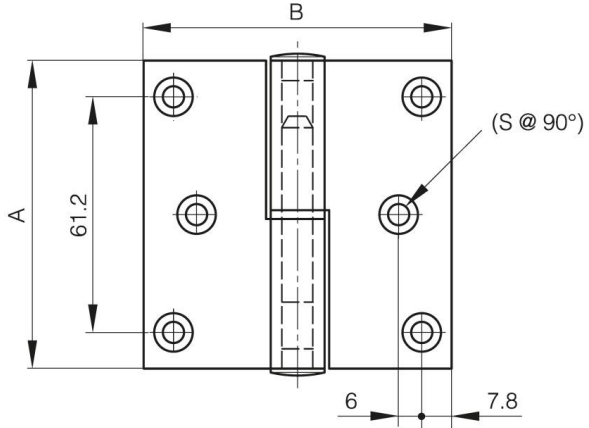
## ALUMINIUM LIFT-OFF HINGES 80 X 80 MM

**14-7-3625**

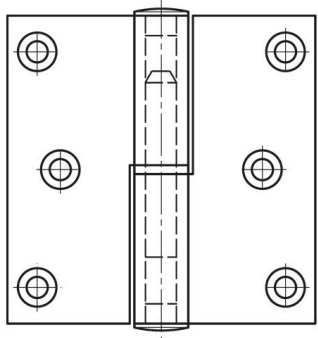
Zinc plated steel pin.  
Nylon bushing.

<b>A (length)</b>	80 mm
<b>Note</b>	type 2
<b>Material</b>	aluminium

<b>Weight (g)</b>	85 g
<b>B (width)</b>	80 mm
<b>C</b>	3.5 mm
<b>S</b>	5.5 mm
<b>D (pin diameter)</b>	o



14-7-3624



14-7-3625

