



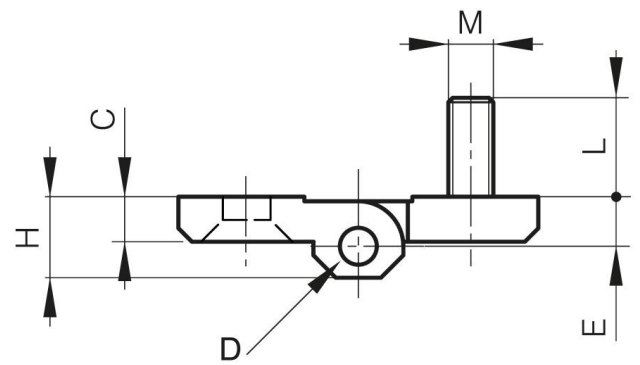
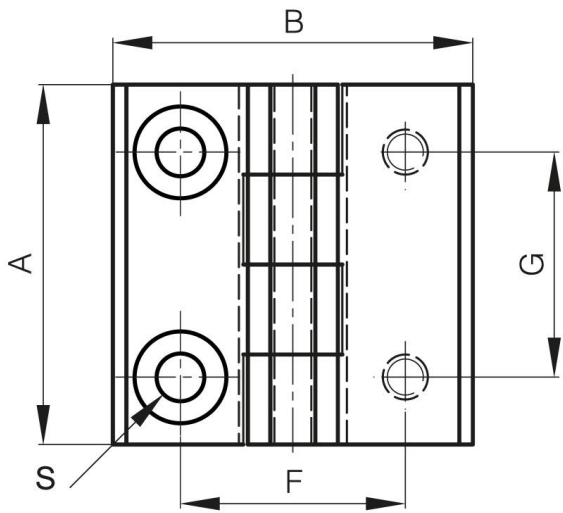
POLYAMIDE HINGES COMBINED STUDS AND HOLES

54-1-3033

Hinges are made of 30% GF polyamide, pins are in 304 stainless steel.

A (length)	40 mm
Material	polyamide

Weight (g)	50 g
B (width)	40 mm
C	5 mm
S	5.3 mm
E	5.5 mm
D (pin diameter)	4
F (pitch)	25 mm
G (pitch)	25 mm
H	9 mm
Finish	black



M	M5 mm
----------	-------