



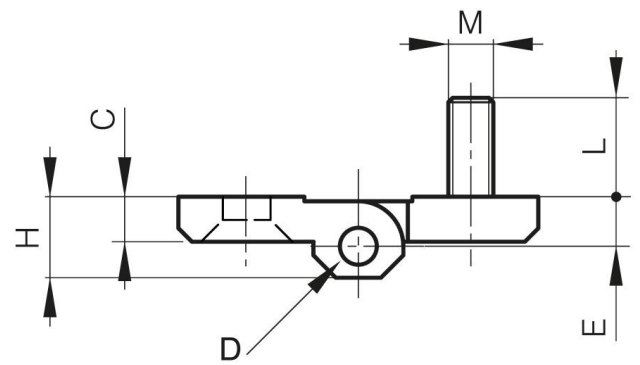
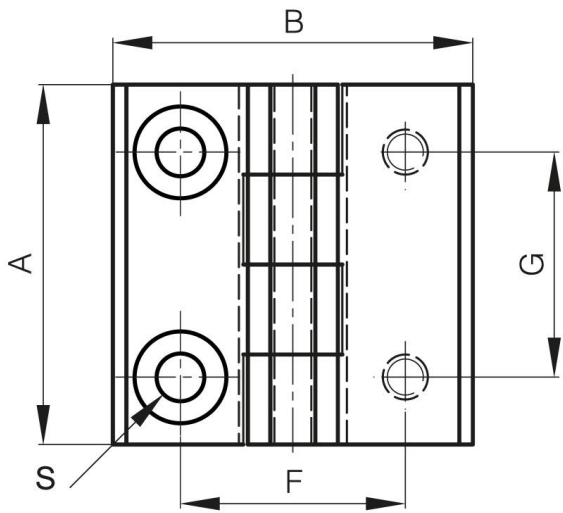
POLYAMIDE HINGES COMBINED STUDS AND HOLES

54-1-3034

Hinges are made of 30% GF polyamide, pins are in 304 stainless steel.

A (length)	50 mm
Material	polyamide

Weight (g)	50 g
B (width)	50 mm
C	6 mm
S	6.4 mm
E	6.5 mm
D (pin diameter)	6
F (pitch)	30 mm
G (pitch)	30 mm
H	11.5 mm
Finish	black



M	M6 mm
----------	-------