



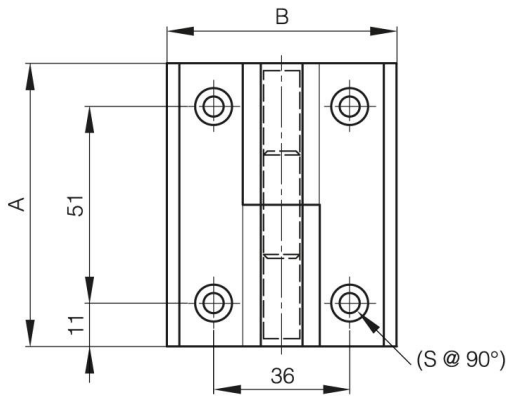
LIFT-OFF HINGES IN PLASTIC

14-7-3723

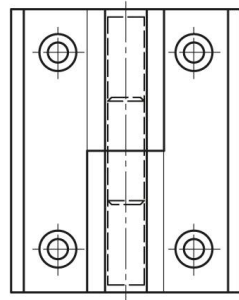
Hinges are made of 15% GF polyamide, pins are in 303 stainless steel.

A (length)	74 mm
Note	type 2
Material	polyamide

Weight (g)	53 g
B (width)	60 mm
C	7 mm
S	5 mm
D (pin diameter)	0.5



14-7-3722



14-7-3723

