

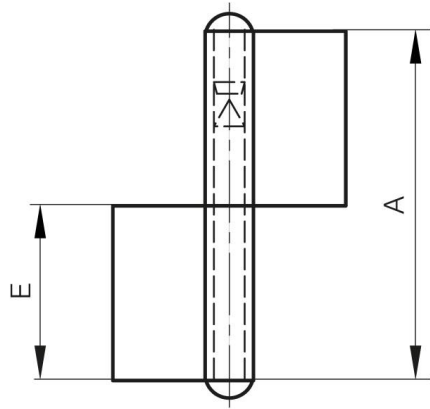


FLAG HINGE WITHOUT WASHER - FLAT KNUCKLE

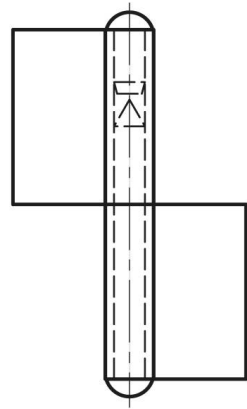
12-1-3309

A (length)	80 mm
Note	type 2
Material	steel

Weight (g)	76 g
B (width)	48 mm
C	2 mm
E	40 mm
D (pin diameter)	5.0



12-1-3308 & 12-1-3310



12-1-3307 & 12-1-3309

