



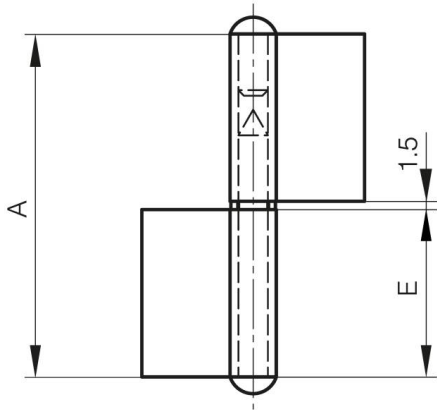
FLAG HINGE WITH WASHER - FLAT KNUCKLE

12-1-3311

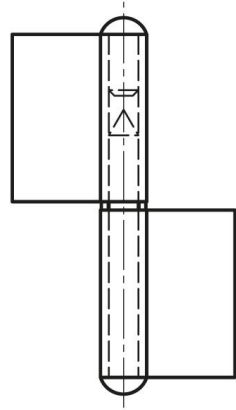
Flag hinge with brass washer, included separately.

A (length)	61.5 mm
Note	type 2

Material	steel
Weight (g)	40 g
B (width)	40 mm
C	1.5 mm
E	30 mm
D (pin diameter)	5.2



12-1-3312 & 12-1-3314



12-1-3311 & 12-1-3313

