



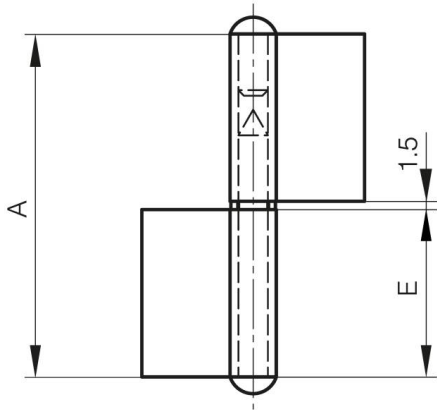
## **FLAG HINGE WITH WASHER - FLAT KNUCKLE**

**12-1-3313**

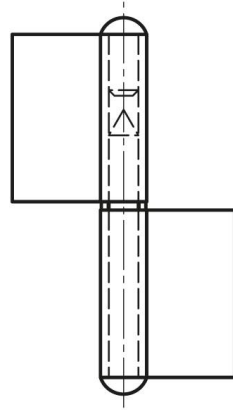
Flag hinge with brass washer, included separately.

<b>A (length)</b>	81.5 mm
<b>Note</b>	type 2

<b>Material</b>	steel
<b>Weight (g)</b>	77 g
<b>B (width)</b>	48 mm
<b>C</b>	2 mm
<b>E</b>	40 mm
<b>D (pin diameter)</b>	5.0



12-1-3312 & 12-1-3314



12-1-3311 & 12-1-3313

