

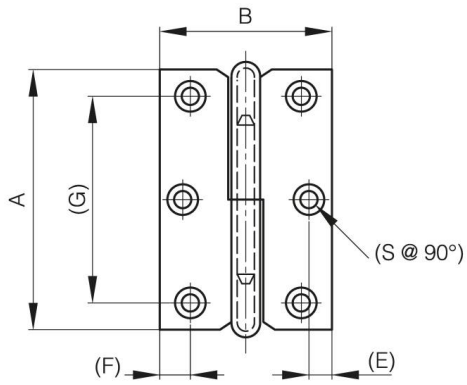


## **LIFT-OFF HINGES 60 TO 80 MM LONG**

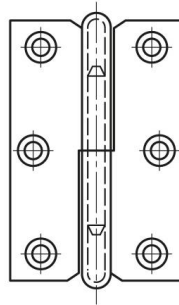
**14-7-3397**

<b>A (length)</b>	60 mm
<b>Note</b>	type 2
<b>Material</b>	steel
<b>Weight (g)</b>	35 g

<b>B (width)</b>	40 mm
<b>C</b>	1.5 mm
<b>S</b>	4 mm
<b>E</b>	5.5 mm
<b>D (pin diameter)</b>	4
<b>F (pitch)</b>	7 mm
<b>G (pitch)</b>	16 mm



14-7-3396 & 14-7-3398 & 14-7-3400



14-7-3397 & 14-7-3399 & 14-7-3401

