

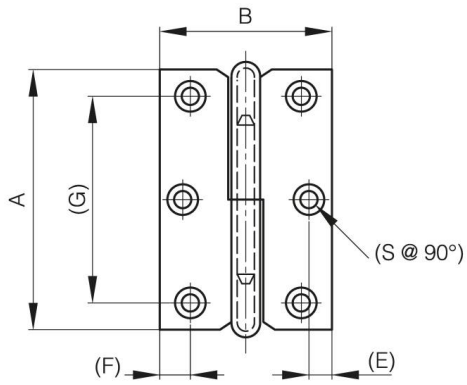


LIFT-OFF HINGES 60 TO 80 MM LONG

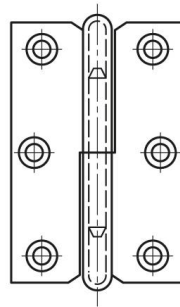
14-7-3401

| | |
|-------------------|--------|
| A (length) | 80 mm |
| Note | type 2 |
| Material | steel |
| Weight (g) | 59 g |

| | |
|-------------------------|--------|
| B (width) | 50 mm |
| C | 1.5 mm |
| S | 4 mm |
| E | 7.2 mm |
| D (pin diameter) | 5 |
| F (pitch) | 9.2 mm |
| G (pitch) | 62 mm |



14-7-3396 & 14-7-3398 & 14-7-3400



14-7-3397 & 14-7-3399 & 14-7-3401

