



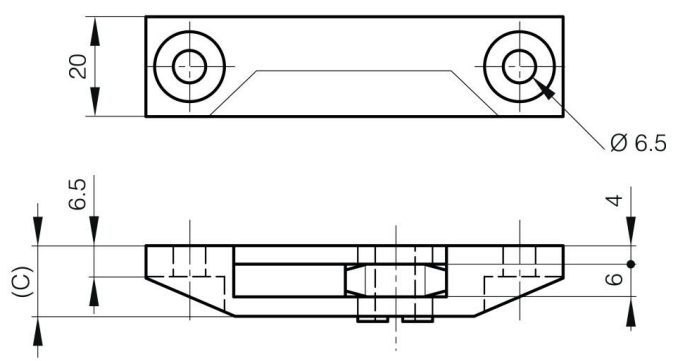
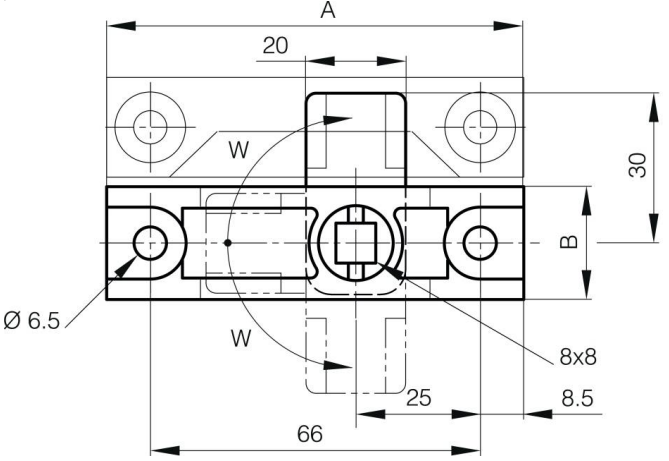
## **PLASTIC BUDGET LATCH WITH STRIKE PLATE**

**16-7-4012**

Not handed.

<b>A (length)</b>	83 mm
<b>Material</b>	acetal resin

<b>Weight (g)</b>	32 g
<b>B (width)</b>	22 mm
<b>C</b>	14 mm



<b>W (opening angle)</b>	90° Degré
--------------------------	-----------