



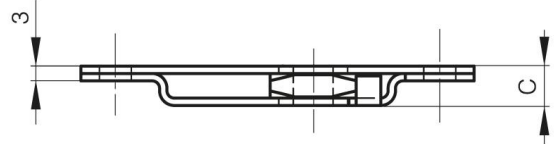
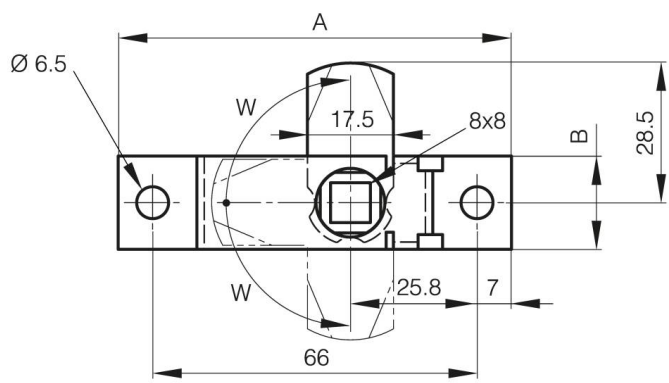
## **BUDGET LATCHES - SQUARE 8X8**

**16-1-4085**

Not handed. 3 indent positions.

<b>A (length)</b>	80 mm
<b>Material</b>	steel
<b>Weight (g)</b>	63 g

<b>B (width)</b>	19 mm
<b>C</b>	9 mm



<b>W (opening angle)</b>	90° Degré
--------------------------	-----------