



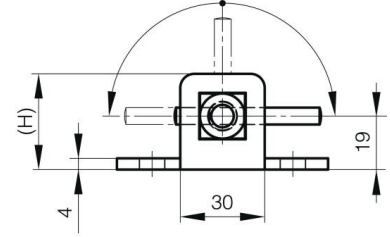
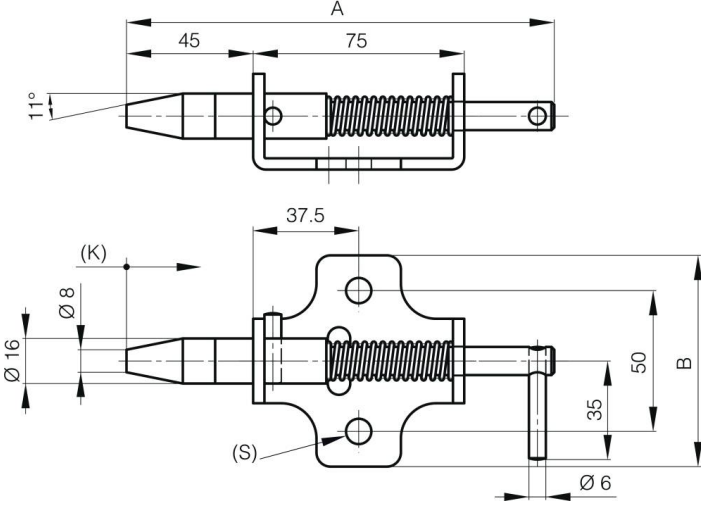
SPRINGLOADED BOLT WITH LOCKING SYSTEM A

16-1-4034

Heavy duty range. Stop when open.

A (length)	152 mm
Material	steel

Weight (g)	340 g
B (width)	75 mm
S	9 mm
H	34 mm



K	20 mm
----------	-------