

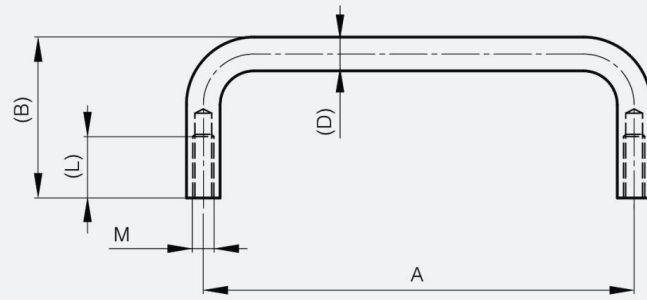


## **REAR MOUNTED GRAB HANDLES 52 TO 120 MM**

**19-7-3409**

|                   |           |
|-------------------|-----------|
| <b>A (length)</b> | 100 mm    |
| <b>Material</b>   | aluminium |
| <b>Weight (g)</b> | 14 g      |

|                         |          |
|-------------------------|----------|
| <b>B (width)</b>        | 30 mm    |
| <b>D (pin diameter)</b> | 7        |
| <b>Finish</b>           | polished |



|          |      |
|----------|------|
| <b>M</b> | 4 mm |
|----------|------|