

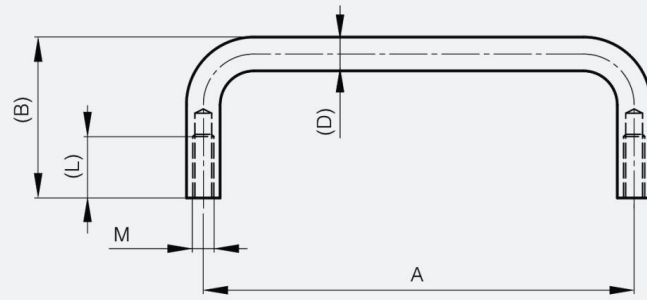


REAR MOUNTED GRAB HANDLES 102 TO 204 MM

19-1-3569

A (length)	102 mm
Material	steel
Weight (g)	70 g

B (width)	38 mm
D (pin diameter)	8
Finish	chrome plated



M	5 mm
----------	------