

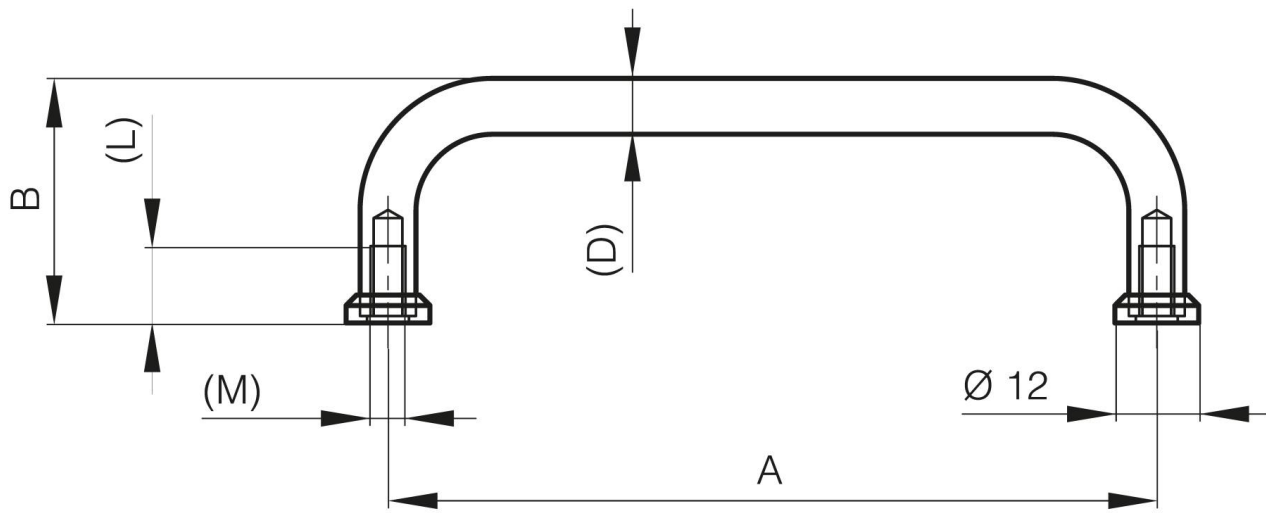


## **REAR MOUNTED GRAB HANDLES 110 MM**

**19-1-3424**

<b>A (length)</b>	110 mm
<b>Material</b>	304 stainless steel
<b>Weight (g)</b>	61 g
<b>B (width)</b>	35 mm

<b>D (pin diameter)</b>	8
<b>Finish</b>	polished



<b>M</b>	5 mm
----------	------