



SPRINGLOADED BOLT WITH LOCKING SYSTEM B

16-1-9007

Heavy duty range. Stop when open.

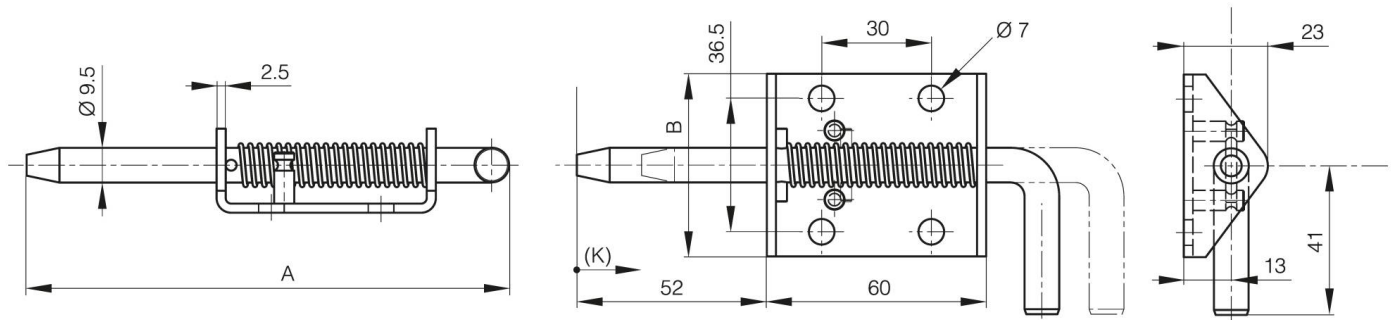
A (length)	132 mm
Material	steel

Weight (g)

175 g

D (mm)

50 mm



K

17 mm