



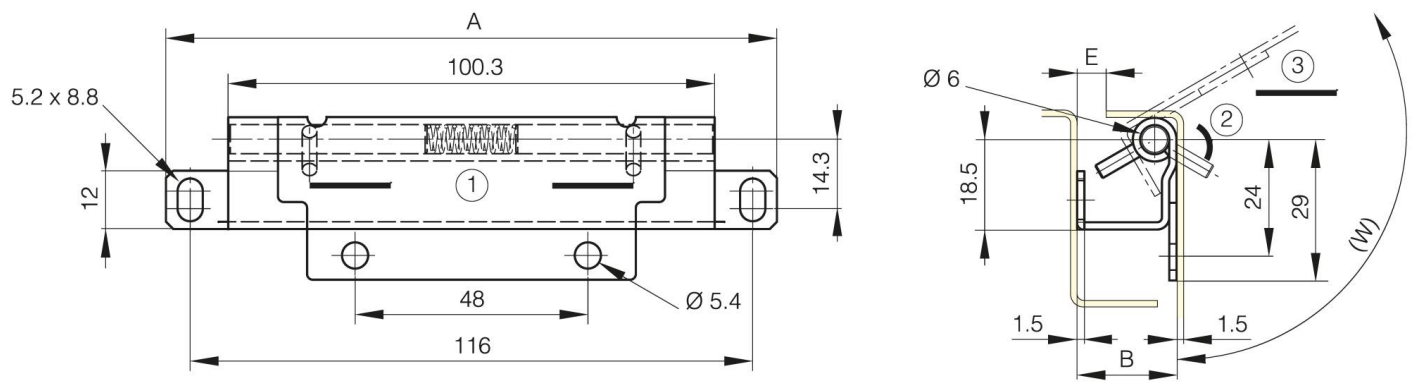
## CONCEALED HINGES WITH RETRACTABLE PIN

**62-1-9000**

Quick-release concealed hinge for tool-free door removal with fixed retractable pin.

<b>A (length)</b>	126 mm
<b>Material</b>	304 stainless steel

<b>Weight (g)</b>	95 g
<b>B (width)</b>	17.5 mm
<b>F</b>	2 mm



<b>W (opening angle)</b>	122° Degré
--------------------------	------------