



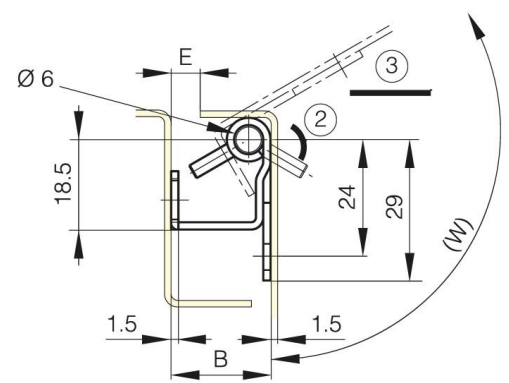
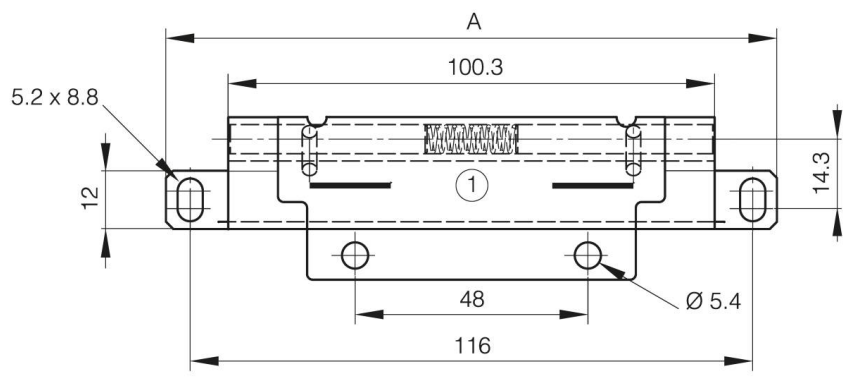
CONCEALED HINGES WITH RETRACTABLE PIN

62-1-9001

Quick-release concealed hinge for tool-free door removal with fixed retractable pin.

A (length)	126 mm
Material	304 stainless steel

Weight (g)	102 g
B (width)	20.5 mm
F	4 mm



W (opening angle)	117° Degré
--------------------------	------------