



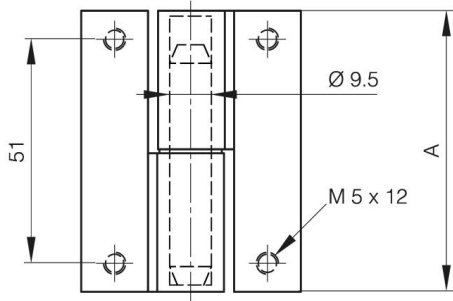
## **ZINC DIE-CAST LIFT-OFF HINGES 64 X 50 MM**

**72-1-9002**

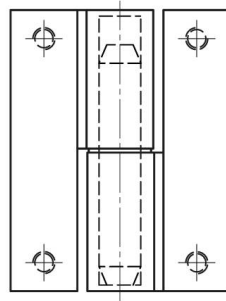
Nylon washer.  
Steel pin.

<b>A (length)</b>	64 mm
<b>Note</b>	type 2

<b>Material</b>	zinc die-cast
<b>Weight (g)</b>	243 g
<b>B (width)</b>	50 mm
<b>C</b>	17.5 mm



72-1-9003



72-1-9002

