

SPRINGLOADED BOLT - REVERSIBLE BOLT

16-7-4220

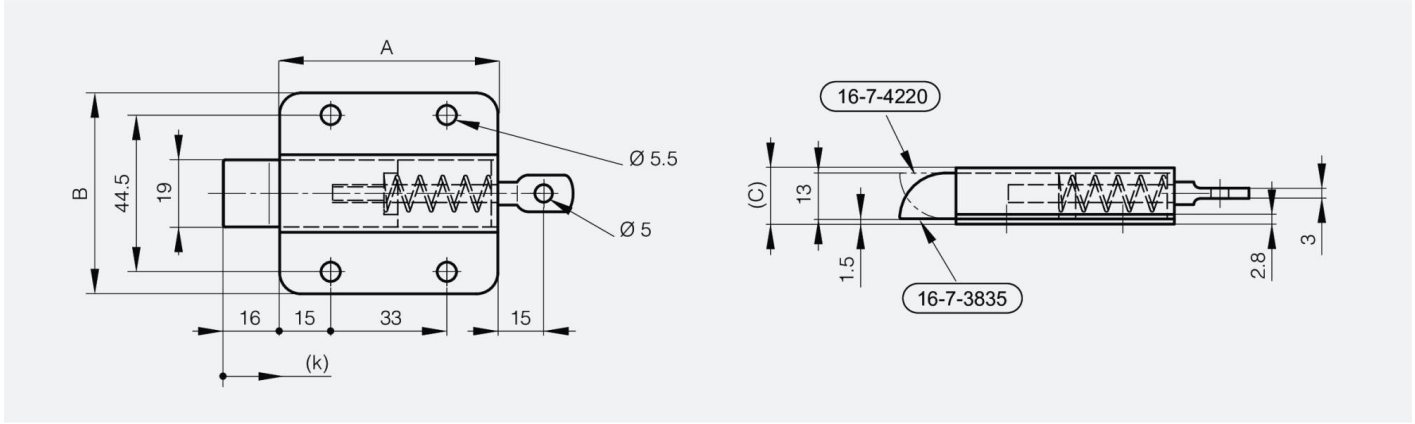
Slam bolt - reversible.

Bolt can be manually unassembled to be positioned 'nose-up' or 'nose-down'.

Minimum load 50 N for full bolt travel.

A (length)	63.2 mm
Note	bolt delivered 'nose-up'

Material	steel
Weight (g)	185 g
B (width)	57 mm
C	17.2 mm



K	7 mm
----------	------