



ZINC DIE-CAST DUAL BALL CATCHES

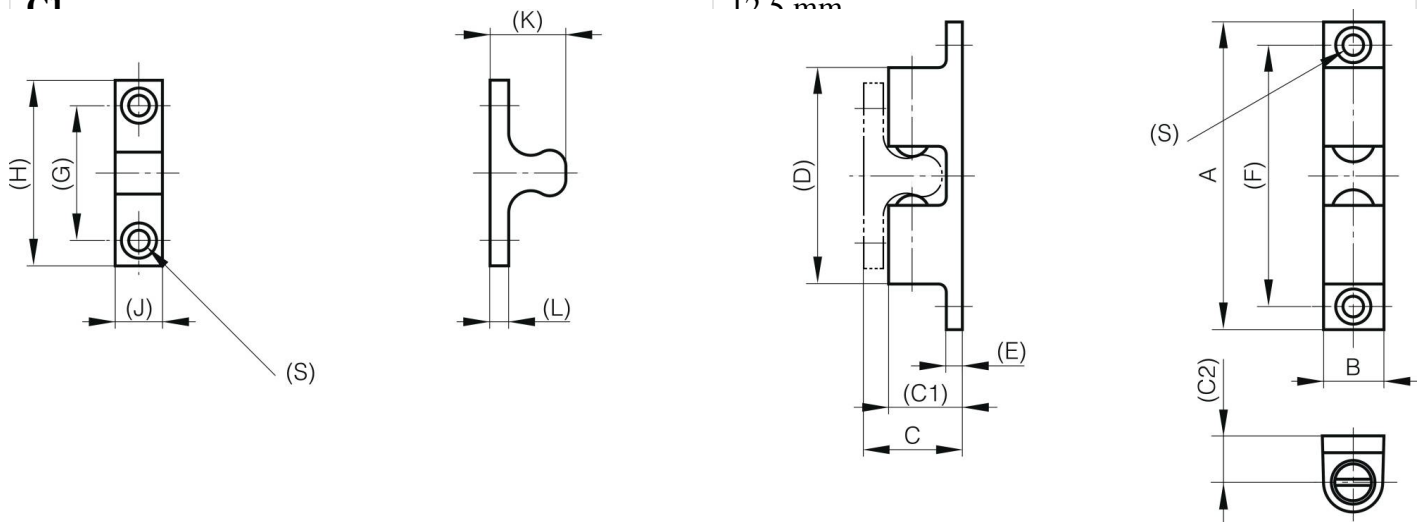
16-7-4212

Body: zinc die-cast, chrome plated.

Balls: steel.

A (length)	50 mm
Material	zinc die-cast
Weight (g)	26 g

B (width)	10 mm
C	16 mm
S	4.2 mm
E	3 mm
D (pin diameter)	29.8
F (pitch)	40 mm
G (pitch)	20 mm
H	30 mm
Finish	chrome plated
J	9 mm
L	2.5 mm
C1	12.5 mm



K	12.3 mm
----------	---------