



GLASS DOOR HINGE IN STAINLESS STEEL

72-7-4254

Hinge for glass / acrylic doors (PMMA).

Door thickness: 4 - 6 mm.

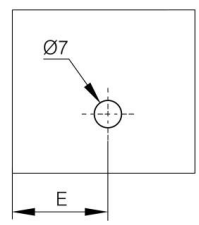
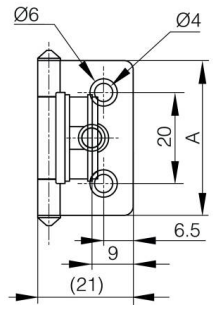
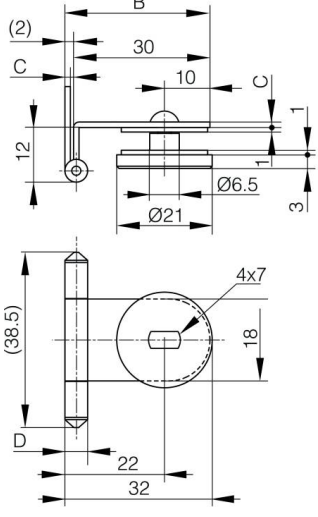
Door weight: max. 4 kg / pair.

Leaves, pin and screw in 304 stainless steel. Plate in aluminium alloy, washer in chloroethylene.

Produced mainly in stainless steel, for a complete description of the materials contact us.

A (length)	34 mm
-------------------	-------

Material	304 stainless steel
Weight (g)	21 g
B (width)	32 mm
C	1.2 mm
D (pin diameter)	5



Epaisseur verre	E
4	19
5	18
6	17