



## DOOR HOLDERS

### 22-7-3548

Automatically locks door when fully opened. Slide the locking lever to release the lock.

Tensile force: Max 1500 N.

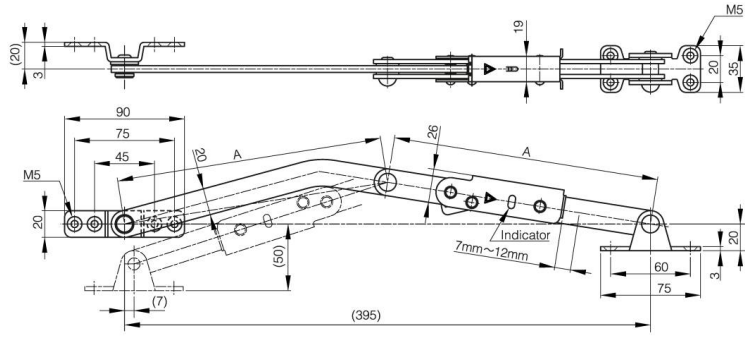
Compression load: Max 600 N.

Handed: specific left and right hand mounting.

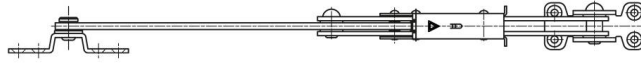
<b>A (length)</b>	200 mm
<b>Material</b>	304 stainless steel

Weight (g)

620 ~



22-7-3547



22-7-3548