

QUARTER TURN WITH WING KNOB

16-1-4227

16-1-4226: key 455 E, supplied with 2 keys.

2 cams available (sold separately):

16-1-4227: flat cam (H18 L35).

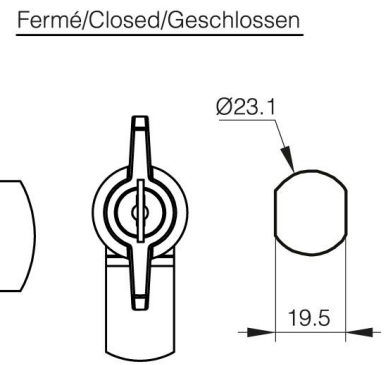
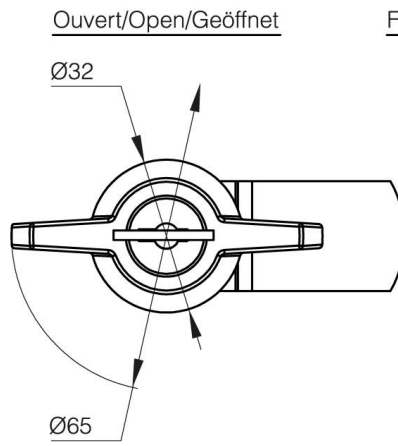
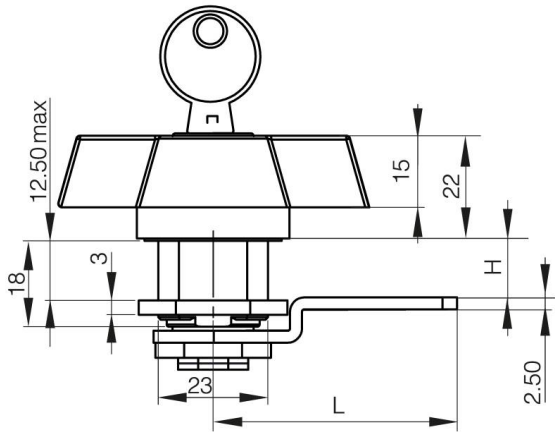
16-1-4229: cranked cam (H11 L50). Same came can be used upside down for H25.

Cut-out: 19.5 x 23.1 mm.

Door thickness: max. 12.5 mm.

Material: wing knob in black PA, housing in zinc die-cast, key / cylinder / cam in steel, nut in brass.

Note	
Material	steel
Weight (g)	15 g
H	18 mm
Finish	zinc plated



Ouvert/Open/Geöffnet

Fermé/Closed/Geschlossen