



## **SPRINGLOADED BOLT WITH LOCKING SYSTEM B**

**16-1-9025**

Heavy duty range. Stop when open.

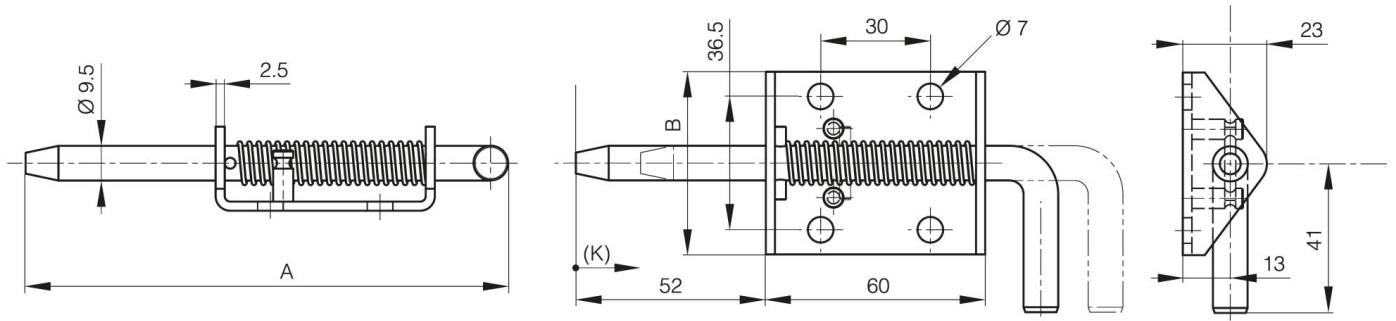
<b>A (length)</b>	132 mm
<b>Material</b>	304 stainless steel

**Weight (g)**

170 g

**D (mm)**

50 mm



**K**

17 mm