



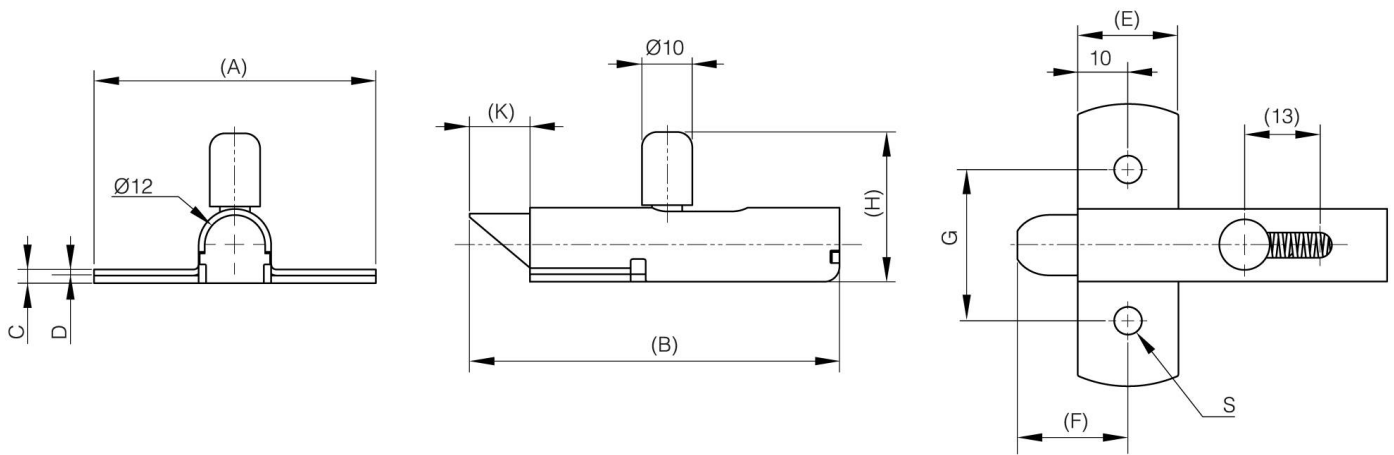
SLAM LATCH IN STAINLESS STEEL - BOLT "NOSE-UP"

16-1-4265

Stainless steel slam latch.

A (length)	56 mm
Material	304 stainless steel

Weight (g)	87 g
B (width)	73.5 mm
C	2.7 mm
S	5.5 mm
E	20 mm
D (pin diameter)	1.2
F (pitch)	22 mm
G (pitch)	30 mm
H	20.7 mm



K	12 mm
----------	-------