



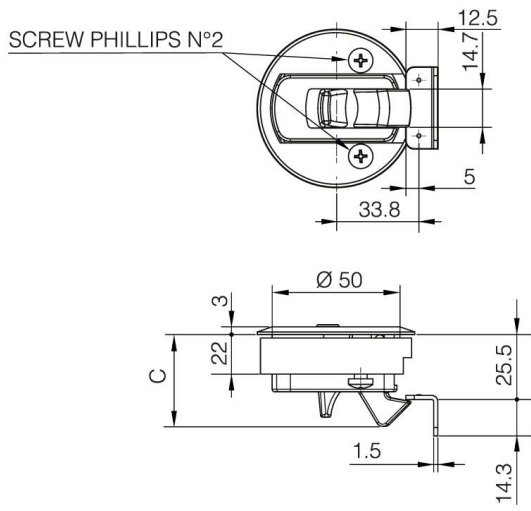
LOCKABLE LOW-PROFILE SLAM LATCH

16-7-4275

Material: UL94-HB ABS.

A (length)	61 mm
Material	polymer
Weight (g)	58 g

C



25.5 mm

