



## **SPRING HINGES - ALUMINIUM PROFILE 1.3 N.M - DIAMETER 13**

**72-1-4327**

Opening spring force:

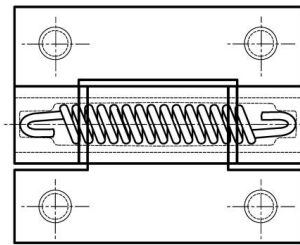
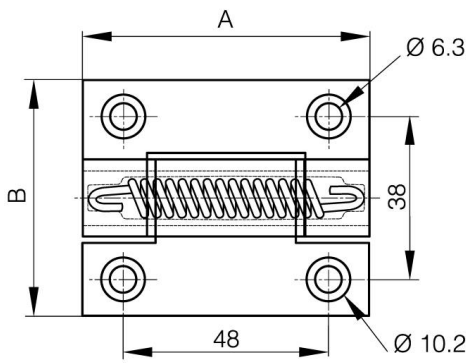
M(0°): 1.3 N.m / M(90°): 1.1 N.m / M(180°): 0.9 N.m

Closing spring force:

M(0°): 0.5 N.m / M(90°): 0.7 N.m / M(180°): 1 N.m

3 other versions available: free swinging, with friction or with detent mechanism.

<b>A (length)</b>	67 mm
<b>Note</b>	opening spring / delivered flat / with M6 studs
<b>Material</b>	6060 T5 alu
<b>Weight (g)</b>	87 g
<b>B (width)</b>	55 mm
<b>C</b>	4.5 mm
<b>D (pin diameter)</b>	13
<b>Finish</b>	clear anodized



72-1-4320 & 72-1-4321  
72-1-4327 & 72-1-4328

