



BRONZE BUSHING HINGE 101.6 X 76.2 MM

52-7-4130

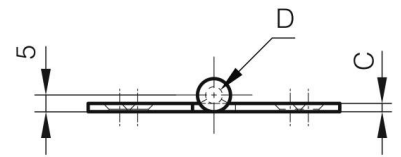
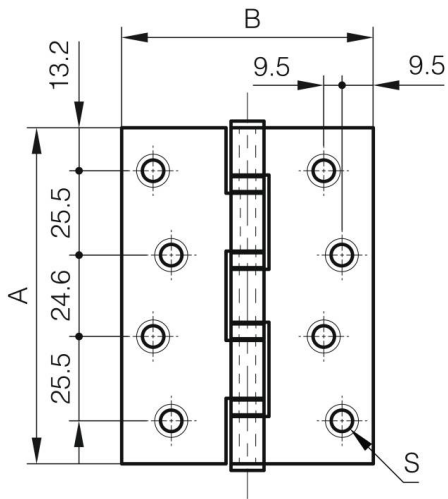
Hinge tested to EN1935: 2002 grade 13.

Recommended for door weights less than 120 kg, annual usage up to 100,000 cycles.

Door thickness: 35 mm to 54 mm

| | |
|-------------------|---------------------|
| A (length) | 101.6 mm |
| Material | 304 stainless steel |

| | |
|-------------------------|-------------|
| Weight (g) | 185 g |
| B (width) | 76.2 mm |
| C | 2.5 mm |
| S | 6.35 mm |
| D (pin diameter) | 5 |
| Finish | zinc plated |



Scharnier mit Bronzebuchs 101,6 x 76,2 mm