



## CONCEALED HINGES A - 120° OPENING

**60-1-4029**

Zinc plated steel version: small flat side in raw steel.

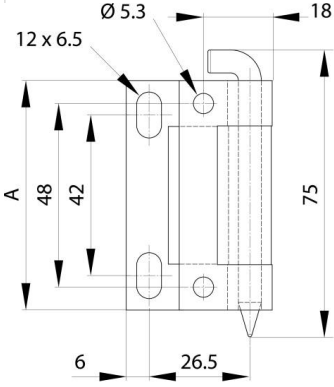
Natural POM pin diameter 6.

For pin with groove, optimal use of circlips DIN 6799 RS4 or O-ring 99-7-3723 (on request).

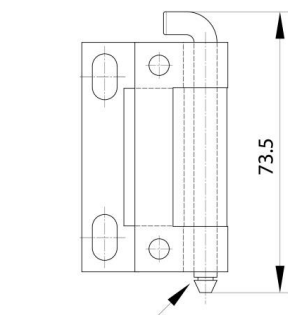
Produced mainly in stainless steel, for a complete description of the materials contact us.

<b>A (length)</b>	60 mm
<b>Material</b>	steel

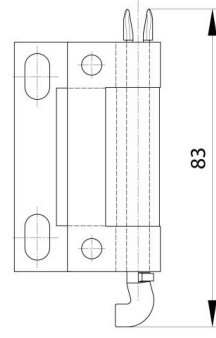
<b>Weight (g)</b>	109 g
<b>C</b>	2.5 mm
<b>D (pin diameter)</b>	6
<b>Finish</b>	zinc plated
<b>Pin material</b>	zinc plated pin



60-1-4029 & 62-1-3753



60-1-4030 & 62-1-3754



60-1-4031 & 62-1-3755

