



CONCEALED HINGES A - 120° OPENING

60-1-4030

Zinc plated steel version: small flat side in raw steel.

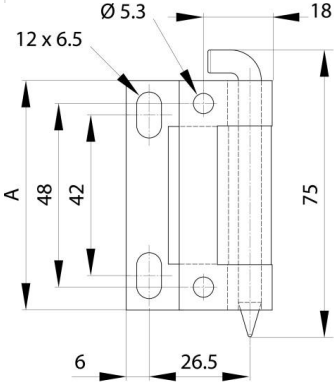
Natural POM pin diameter 6.

For pin with groove, optimal use of circlips DIN 6799 RS4 or O-ring 99-7-3723 (on request).

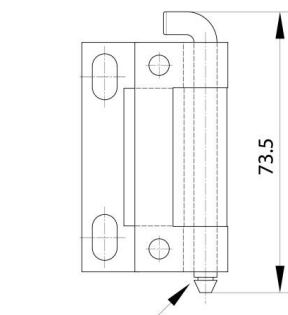
Produced mainly in stainless steel, for a complete description of the materials contact us.

A (length)	60 mm
Material	steel

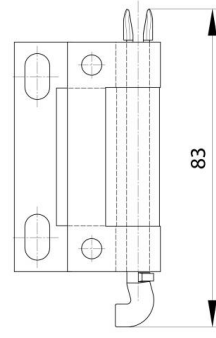
Weight (g)	110 g
C	2.5 mm
D (pin diameter)	6
Finish	zinc plated
Pin material	zinc plated grooved pin



60-1-4029 & 62-1-3753



60-1-4030 & 62-1-3754



60-1-4031 & 62-1-3755

