



CONCEALED HINGES B - 120° OPENING

62-1-3757

Zinc plated steel version: small flat side in raw steel.

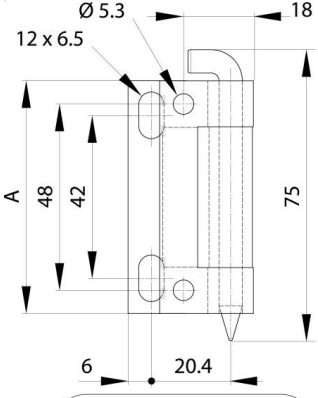
Natural POM pin diameter 6.

For pin with groove, optimal use of circlips DIN 6799 RS4 or O-ring 99-7-3723 (on request).

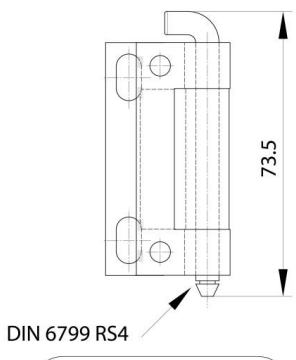
Produced mainly in stainless steel, for a complete description of the materials contact us.

A (length)	60 mm
Material	304 stainless steel

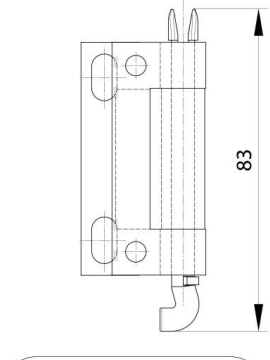
Weight (g)	101 g
C	2.5 mm
D (pin diameter)	6
Finish	raw
Pin material	303 stainless steel grooved pin



60-1-4032 & 62-1-3756



60-1-4033 & 62-1-3757



60-1-4034 & 62-1-3758

