



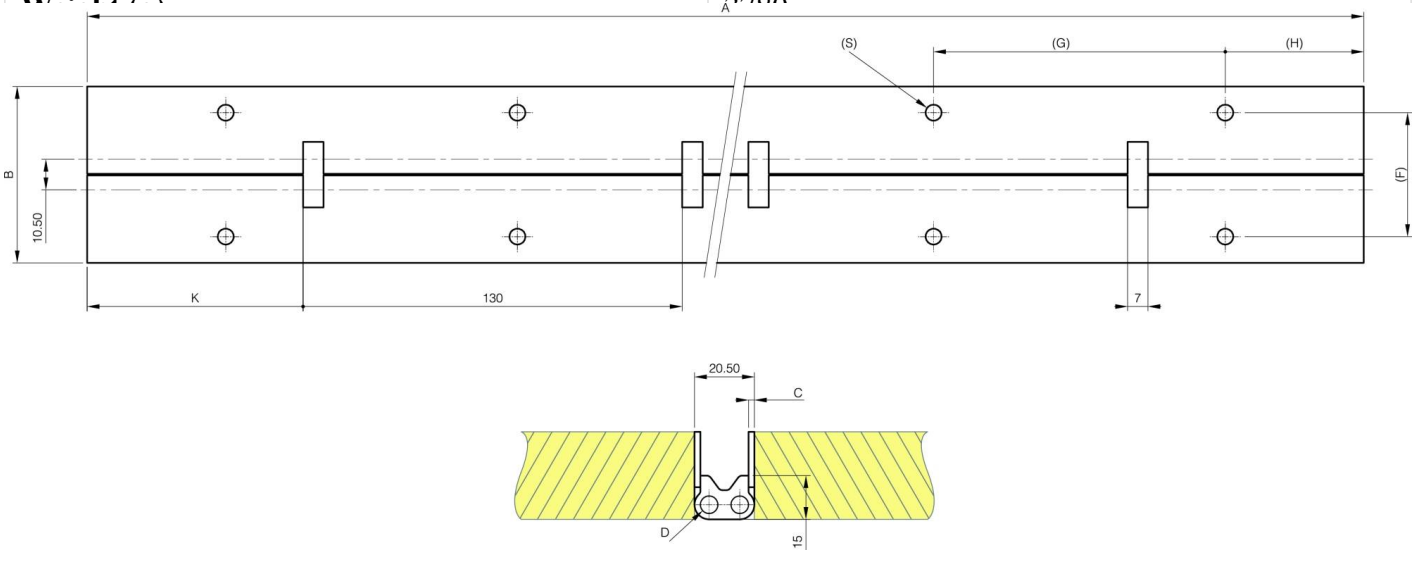
STAINLESS STEEL DOUBLE KNUCKLE CONTINUOUS HINGE

42-1-4643

Hinge in stainless steel for 180° opening angle.
With fixed friction washers.

B (width)	60.5 mm
A (length)	2495 mm

D (pin diameter)	6
F (pitch)	42.5 mm
G (pitch)	100 mm
C	2 mm
Finish	raw
Material	stainless steel
S	5.5 mm
Nouvelle référence	NS
Pin material	stainless steel



K	73.6 mm
----------	---------