



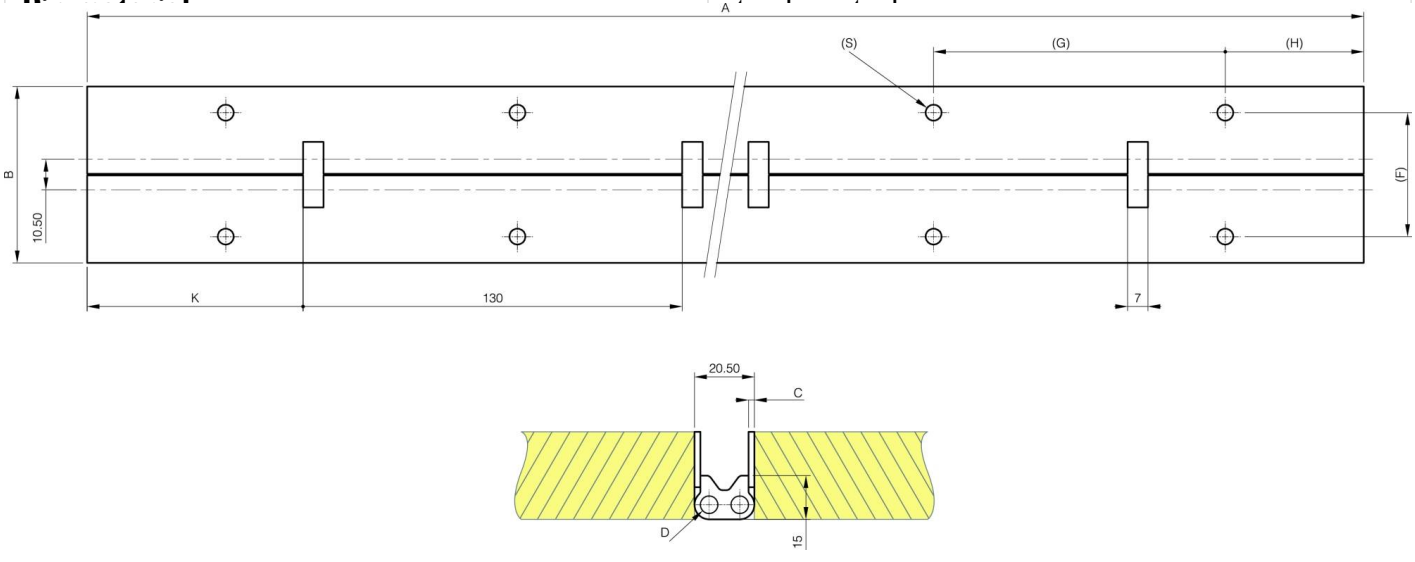
## **STAINLESS STEEL DOUBLE KNUCKLE CONTINUOUS HINGE**

**42-1-4642**

Hinge in stainless steel for 180° opening angle.  
With fixed friction washers.

<b>A (length)</b>	480 mm
<b>B (width)</b>	60.5 mm

<b>D (pin diameter)</b>	6
<b>F (pitch)</b>	42.5 mm
<b>G (pitch)</b>	100 mm
<b>C</b>	2 mm
<b>H</b>	40 mm
<b>Material</b>	stainless steel
<b>Weight (g)</b>	920 g
<b>Finish</b>	raw
<b>S</b>	5.5 mm



<b>K</b>	42.5 mm
----------	---------