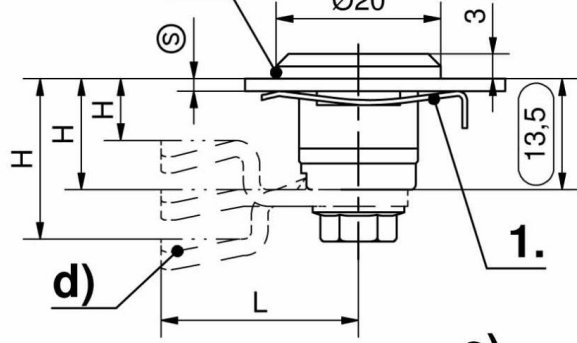




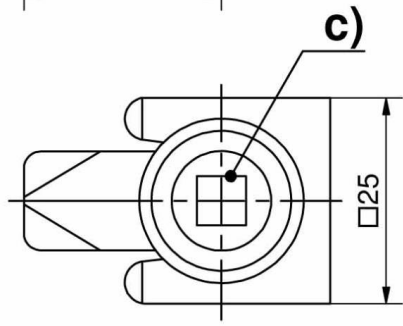
## **CORPS PA NOIR (PM) CLIP D**

81-7-1107

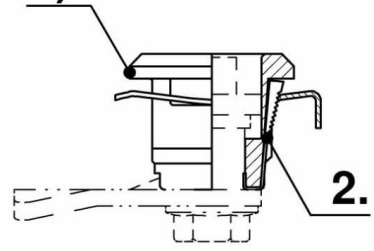
---



d)



c)



2.

